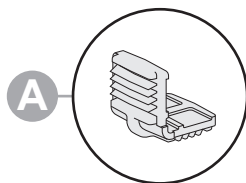
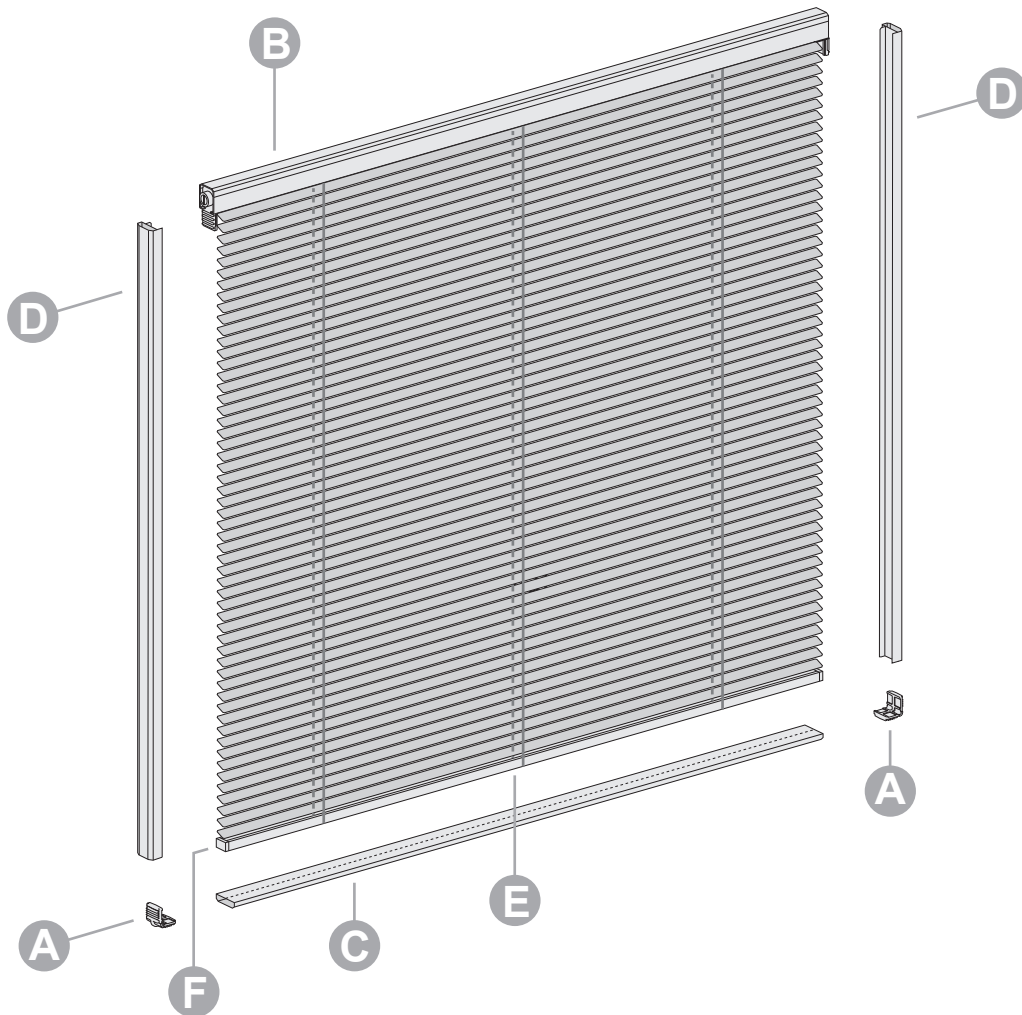
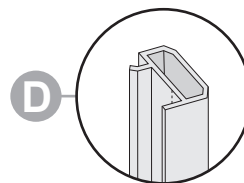


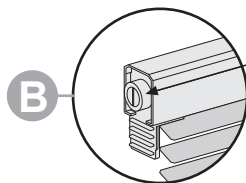
• **Motorized unit**



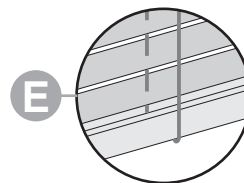
**A** corner key



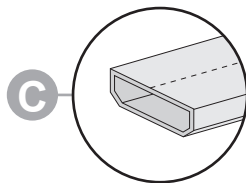
**D** side spacer



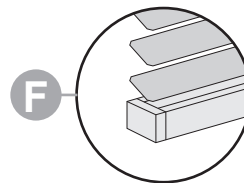
power + control  
motor socket  
**B** head rail



**E** blind field

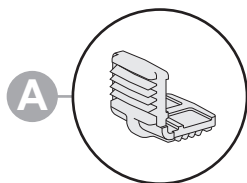
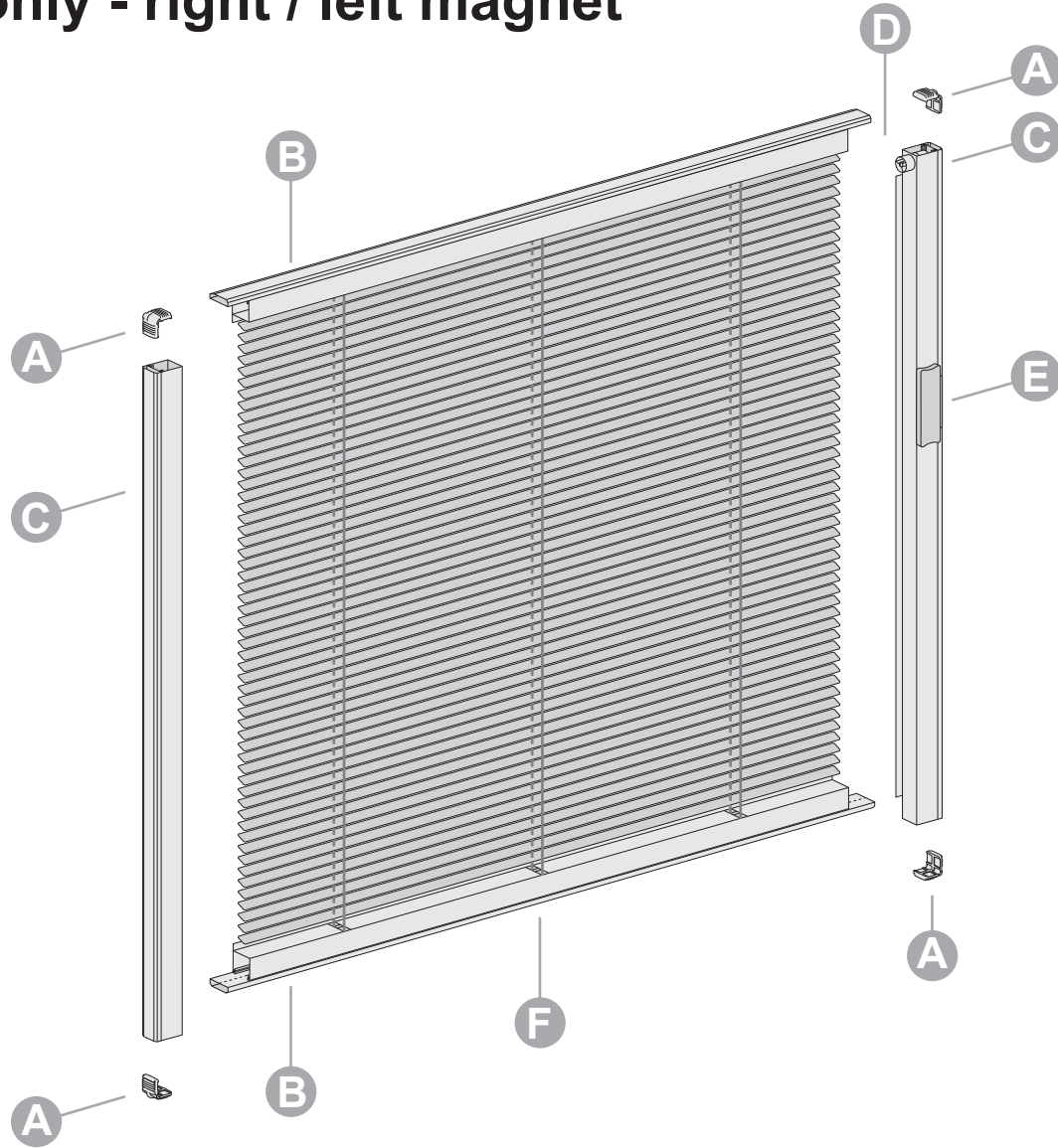


**C** bottom spacer

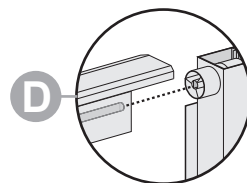


**F** bottom rail

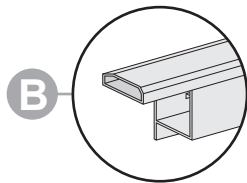
• Tilt only - right / left magnet



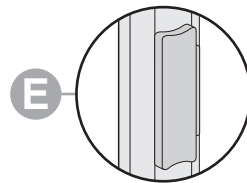
corner key



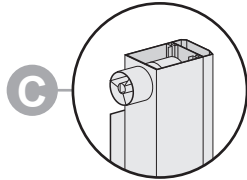
shaft assembly  
note the D shape



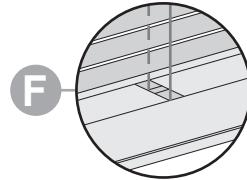
head rail



magnet

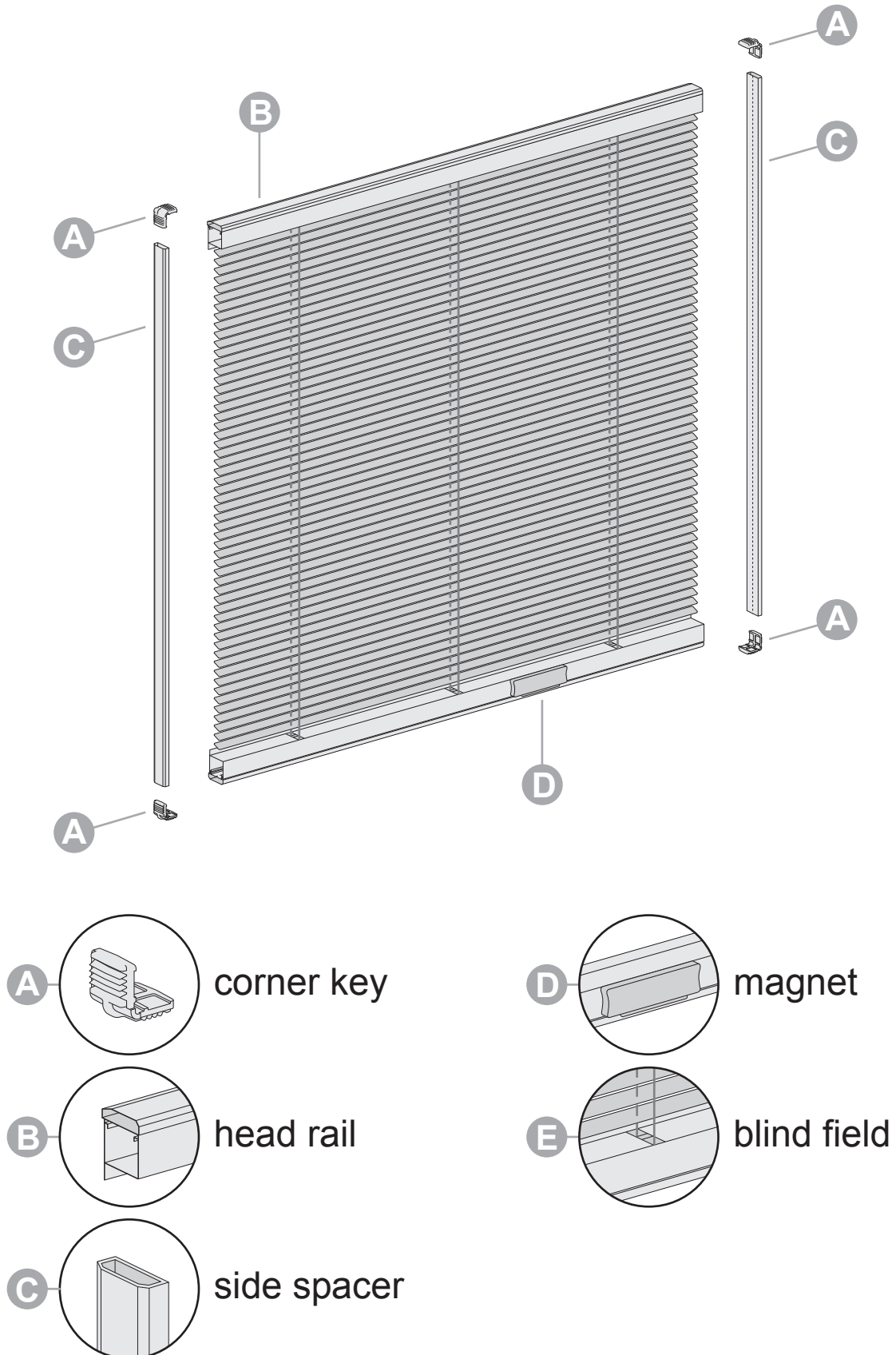


tilt shaft adaptor



blind field

• **Tilt only - Bottom magnet**



• **Tilt & lift magnet operated**

